

Envatech

Design & Technology

NEO+ by NEZ



Technical Specifications

Introduction	03
Reference profiles	04
Hardware reference	04

Partitions	
Head	05
Framing	06
Regular	07
Irregular	08

Doors	
Single glass	09
Single glass framed	09
Blind	09
Framed panel glass	10
Framed panel mixt.	10
Framed panel blind	10
Sliding framed glass	11
Sliding framed panel glass	11
Sliding blind	11

Adjustments	
Starts	12
Three way	13
Corner	14
Technical module	15

Others	
Colors	16

Acoustic certificate	*Consult
----------------------	----------

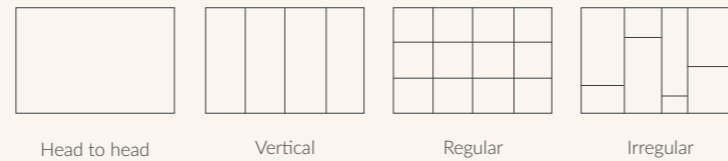


envatech
DESIGN & TECHNOLOGY

NEO+ by Nez



01 The evolutionary process, as a concept, leads to a process of constant improvement. Neo+ picks up where Neo left off to innovate and improve in all its forms, expanding into new possibilities like the branches of a tree that grow and branch out. Neo+ opens a path of possibilities, starting from a static element and evolving into a dynamic one, where ordered disorder plays a fundamental role.



Head to head

Vertical

Regular

Irregular



NEO+

The Neo+ system, through its different modulations, offers a wide variety of technical solutions. Starting with a neutral space, as in the Neo+ Testa system; introducing vertical elements, Neo+ Vertical; connecting the vertical elements in an orderly fashion with the Neo+ Regular solution; and disrupting the grid, Neo+ Irregular

Neo+, like the natural elements that surround us, offers great diversity, not only in form, but also extending its reach into textures and colors. It incorporates the vertical garden into its design, where both elements exist in symbiosis.

Regarding textures and colors, Neo+ offers a wide variety of solutions, such as the possibility of adding textured glass, colored panels, and even soundabsorbing fabrics and materials.

02



envatech DESIGN & TECHNOLOGY		PROFILE REFERENCE			
480 - Coronation Base	481 - Wall start	483 - Door frame	484 - Thecnical module	485 - Door T.Module	50x50 - Square tube
486 - Open start	487 - Lid open start	488 - H Vertical	489 - H Horizontal	490 - H Door	455 - Framed door

envatech DESIGN & TECHNOLOGY		HARDWARE REFERENCE			
NO01 - General Bracket	NO02 - Bracket F.Dorr	NO03 - Union 480	NO04 - Bracket frame	NO05 - Part 1	NO06 - Glass support
G01 - Glass rubber 5+5	G03 - Glass rubber door	G04 - Semi-rigid profile H	G05 - Semi-rigid profile 90°	G06 - Semi-rigid profile 3V	Screws

GLASS

ELEVATION

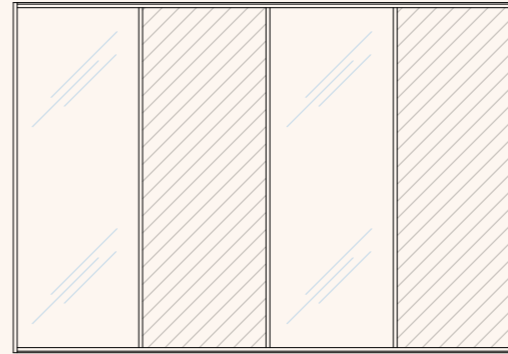


Note: The framed Neo+ modulation has a standard distance of 6m, although this limit may be exceeded depending on the project.

Note: Standard modularity is considered with 5+5 glass, but can accommodate up to 6+6 glass.

MIXT

ELEVATION

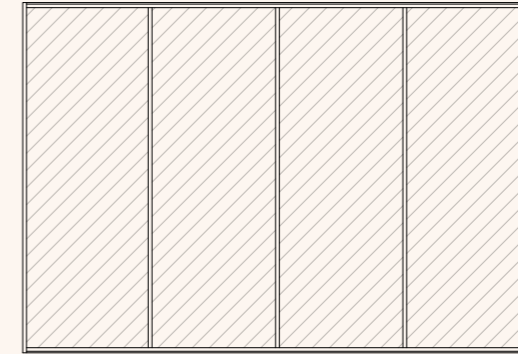


Note: The framed Neo+ modulation has a standard distance of 6m, although this limit may be exceeded depending on the project.

Note: Standard modular design with solid panels uses 12-13mm thick panels. For thinner panels, please consult our technical solutions.

BLIND

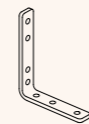
ELEVATION



Note: The framed Neo+ modulation has a standard distance of 6m, although this limit may be exceeded depending on the project.

Note: Standard modular design with solid panels uses 12-13mm thick panels. For thinner panels, please consult our technical solutions.

HARDWARE



- NO01 Bracket



- NO04 Baseboard and crowning joint
*Only in the necessary case of union two bars



- NO06 Glass suport



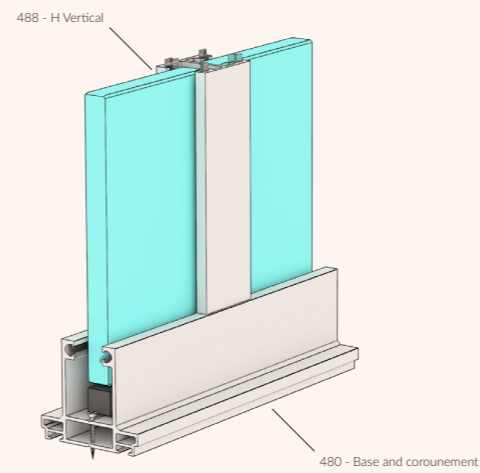
- Screw 30mm
- Screw 9mm

RUBBER



- G01 Rubber glass 5+5

DETAIL



Modulation Neo+

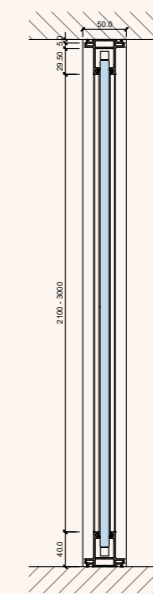
Composed of aluminum profiles and 5+5/6+6 glass or panels with vertical perimeter framing

Profiles in White/Black and Silver Anodized.

Modulation profiles

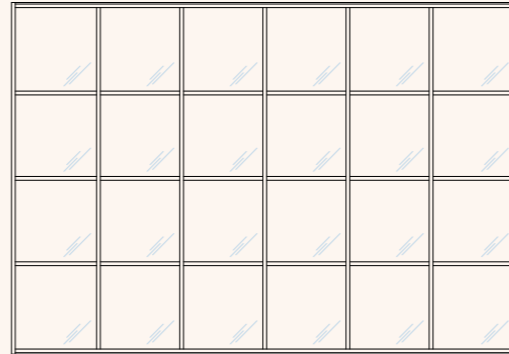
- 480
- 481
- 486
- 487
- 488

VERTICAL SECTION



VIDRIO

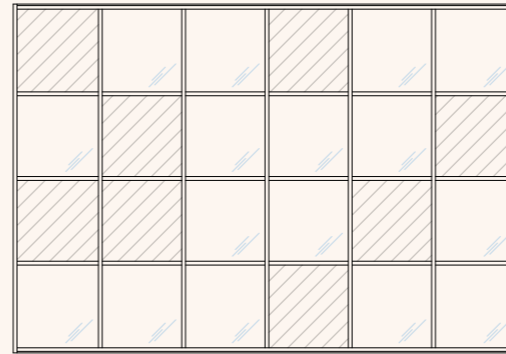
ELEVATION



Note: The framed Neo+ modulation has a standard distance of 6m, although this limit may be exceeded depending on the project.
Note: Standard modularity is considered with 5+5 glass, but can accommodate up to 6+6 glass.

MIXTO

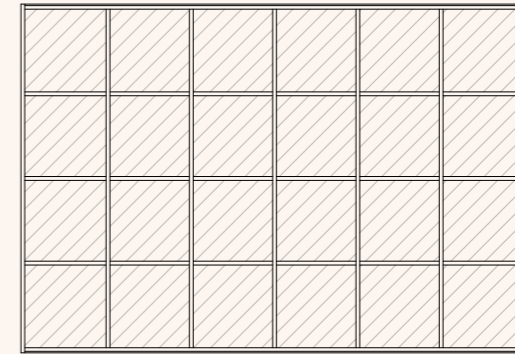
ELEVATION



Note: The framed Neo+ modulation has a standard distance of 6m, although this limit may be exceeded depending on the project.
Note: Standard modular design with solid panels uses 12-13mm thick panels. For thinner panels, please consult our technical solutions.

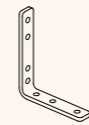
CIEGO

ELEVATION



Note: The framed Neo+ modulation has a standard distance of 6m, although this limit may be exceeded depending on the project.
Note: Standard modular design with solid panels uses 12-13mm thick panels. For thinner panels, please consult our technical solutions.

HARDWARE



- NO01 Bracket



- NO04 Baseboard and crowning joint
*Only in the necessary case of union two bars



- NO05 Support for frames



- NO06 Glass support



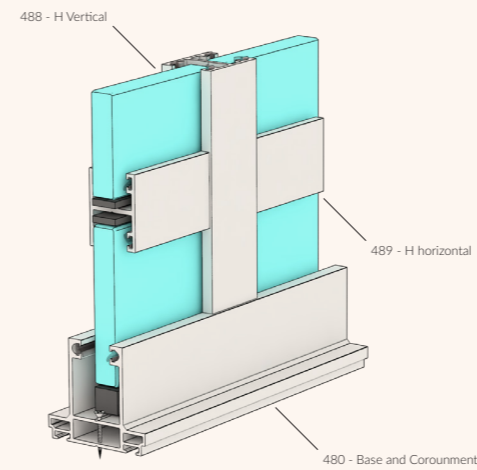
- Screw 30mm
- Screw 9mm

RUBBER



- G01 Rubber glass 5+5

DETAIL



Modulation Neo+

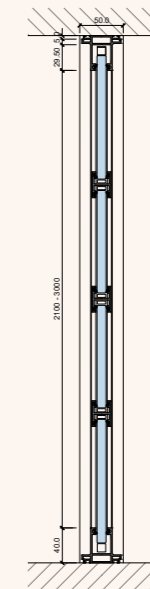
Composed of aluminum profiles and 5+5/6+6 glass or panels with vertical perimeter framing

Profiles in White/Black and Silver Anodized.

Modulation profiles

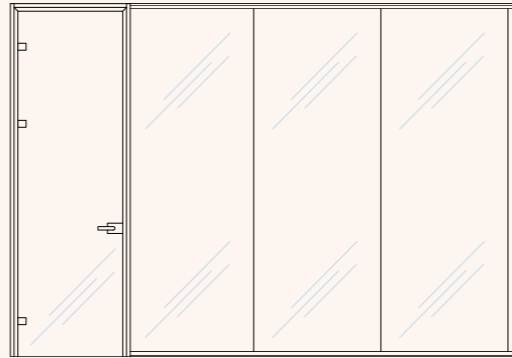
- 480
- 481
- 486
- 487
- 488
- 489

VERTICAL SECTION



GLASS

ELEVATION

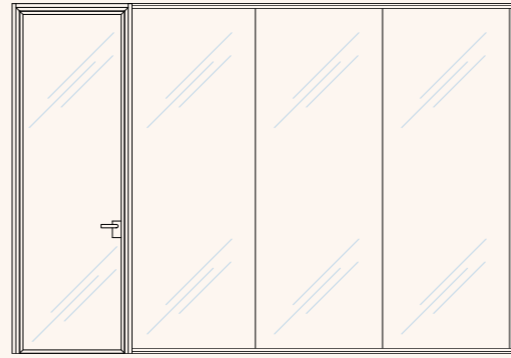


Note: The glass door is made of a 10mm tempered safety glass sheet. Door with possibility of header and double leaf.

Note: The glass door has 2 or 3 clamp hinges depending on the height of the door. All door frames are associated with profile 481.

FRAMED GLASS

ELEVATION

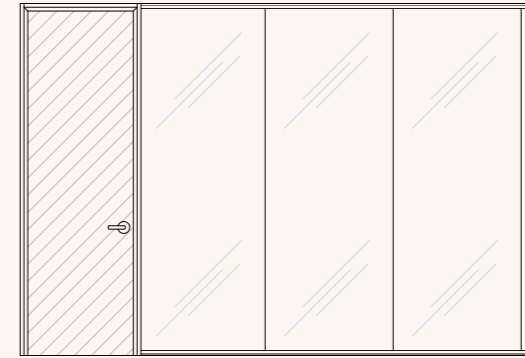


Note: The framed glass door consists of a perimeter aluminum profile and a 6mm thick tempered glass panel. A header can be added.

Note: The framed glass door has 2 or 3 clamp hinges depending on the height of the door. All door frames are associated with profile 481.

BLIND

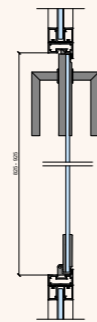
ELEVATION



Note: The blind consists of a melamine body with rock wool insulation inside. The door can be fitted with a header and double leaves.

Note: The blind door has 2 or 3 clamp hinges depending on the height of the door. All door frames are associated with profile 481.

SECTION GLASS DOOR



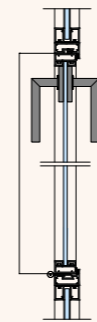
HARDWARE AND RUBBERS

- Quadra series lock
- Quadra series lever
- Quadra series hinge
- Quadra mouthpiece
- G03 Door frame rubber seal



*Consult hardware in white/black

SECTION GLASS DOOR PANES



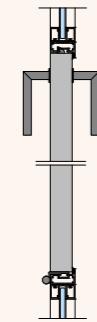
HARDWARE AND RUBBERS

- Standard strike plate
- Standard lever
- Standard hinge
- Standard escutcheon
- G03 Door frame rubber seal



*Consult hardware in white/black

SECTION BLIND DOOR



HARDWARE AND RUBBERS

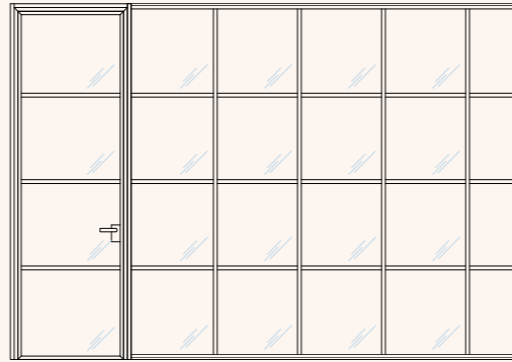
- Standard strike plate
- Standard lever
- Standard hinge
- Standard escutcheon
- G03 Door frame rubber seal



*Consult hardware in white/black

GLASS

ELEVATION

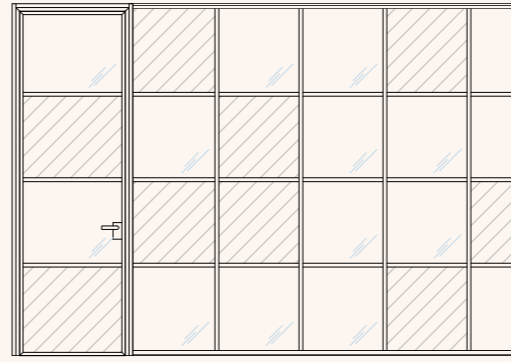


Note: The framed glass door consists of a perimeter aluminum profile and a 6mm thick tempered glass panel. A header can be added.

Note: The framed glass door has 2 or 3 clamp hinges depending on the height of the door. All door frames are associated with profile 481.

MIXT

ELEVATION

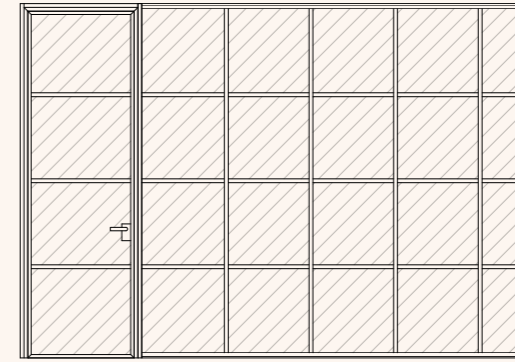


Note: The framed glass door consists of a perimeter aluminum profile and a 6mm thick tempered glass panel. A header can be added.

Note: The framed glass door has 2 or 3 clamp hinges depending on the height of the door. All door frames are associated with profile 481.

BLIND

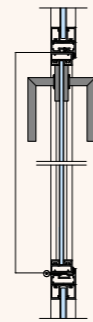
ELEVATION



Note: The framed blind door consists of a perimeter aluminum profile and a 6mm thick tempered glass panel. A header can be added.

Note: The framed blind door has 2 or 3 clamp hinges depending on the height of the door. All door frames are associated with profile 481.

SECTION FRAMED GLASS DOOR



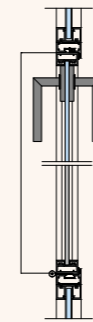
PROFILES, HARDWARE AND RUBBERS

- Standard strike plate
- Standard lever
- Standard hinge
- Standard escutcheon
- G03 Door frame rubber seal



*Consult hardware in white/black

SECTION FRAMED GLASS DOOR MIXT



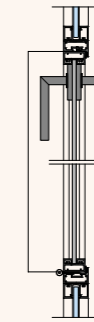
PROFILES, HARDWARE AND RUBBERS

- Standard strike plate
- Standard lever
- Standard hinge
- Standard escutcheon
- G03 Door frame rubber seal



*Consult hardware in white/black

SECTION FRAMED BLIND DOOR



PROFILES, HARDWARE AND RUBBERS

- Standard strike plate
- Standard lever
- Standard hinge
- Standard escutcheon
- G03 Door frame rubber seal



*Consult hardware in white/black

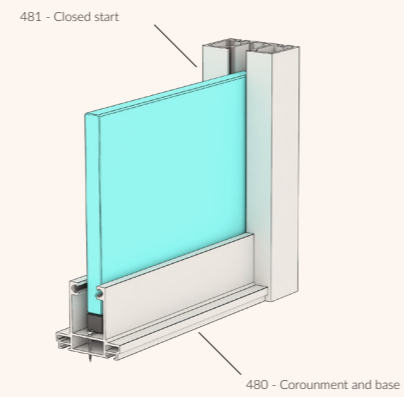
SLIDING DOOR

FRAMED GLASS	FRAMED GLASS PANES	BLIND
ELEVATION	ELEVATION	ELEVATION
<p>Note: The framed glass door consists of a perimeter aluminum profile and a 6mm thick tempered glass sheet.</p> <p>Note: The sliding glass door consists of a Klein Lite100+ surfacemounted guide in a silver finish.</p>	<p>Note: The framed glass door consists of a perimeter aluminum profile and a 6mm thick tempered glass sheet.</p> <p>Note: The sliding glass door consists of a Klein Lite100+ surfacemounted guide in a silver finish.</p>	<p>Note: The solid door consists of a melamine body with rock wool insulation inside. The door can be fitted with a header and double leaves.</p> <p>Note: The sliding blind door consists of a Klein Lite100+ surfacemounted guide in a silver finish.</p>

SECTION GLASS FRAMED DOOR	SECTION GLASS FRAMED DOOR MIXT	SECTION BLIND DOOR
PROFILES, HARDWARE AND RUBBERS	PROFILES, HARDWARE AND RUBBERS	PROFILES, HARDWARE AND RUBBERS
<ul style="list-style-type: none"> - Guide Klein Lite100+ - Accesories Klein Lite100+ <p>*Consulta hardware in white/black</p>	<ul style="list-style-type: none"> - Guide Klein Lite100+ - Accesories Klein Lite100+ <p>*Consulta hardware in white/black</p>	<ul style="list-style-type: none"> - Guide Klein Lite100+ - Accesories Klein Lite100+ <p>*Consulta hardware in white/black</p>

CLOSED START

DETAIL

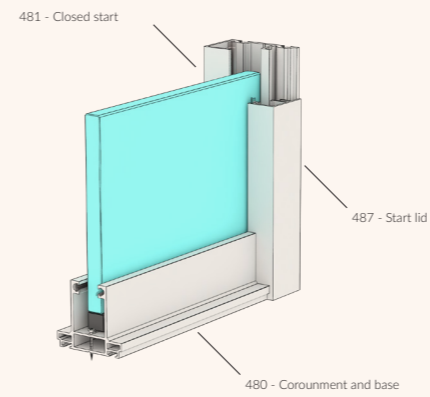


Note: The closed partition starter can be used as both a wall starter and a door starter

Note: Two closed starters can be placed on the two starters of the same modulation as long as the modulation consists of more than one glass.

OPEN START

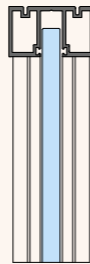
DETAIL



Note: The open starter consists of two profiles, which allows the foot to be opened to insert the glass. It is recommended to place one open foot per wall.

Note: The open foot is technically the same as the closed foot, so it can be placed as a starting foot from either a wall or a door.

CLOSED START SECTION



PROFILES, HARDWARE AND RUBBERS



· NO01 Bracket
*Only for door start



· NO06 Glass suport



· Screw 30mm

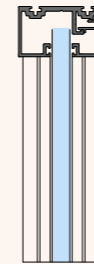


· G01 Rubber glass 5+5

Perfiles de la modulación

· 480
· 481

OPEN START SECTION



PROFILES, HARDWARE AND RUBBERS



· NO01 Bracket
*Only for door start



· NO06 Glass suport



· Screw 30mm



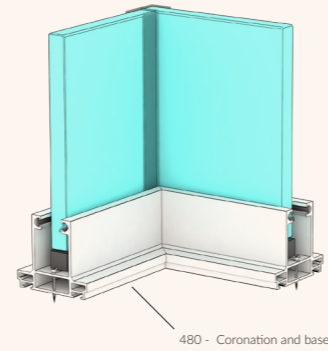
· G01 Rubber glass 5+5

Perfiles de la modulación

· 480
· 486
· 487

CORNER 90° HEAD

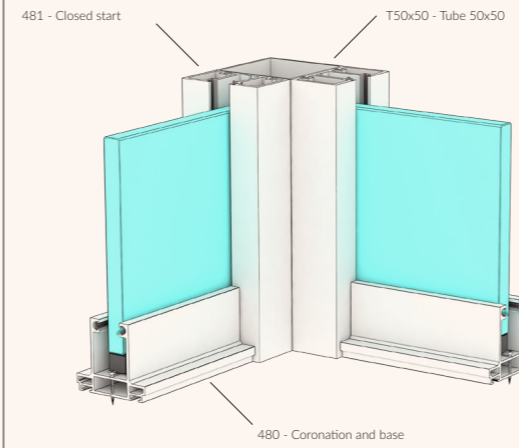
DETAIL



Note: Butt joint corner with polycarbonate profile between panes of glass.

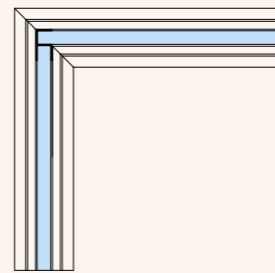
CORNER 90° T50X50

DETAIL






Note: Corner with double start and 50x50mm square profile.

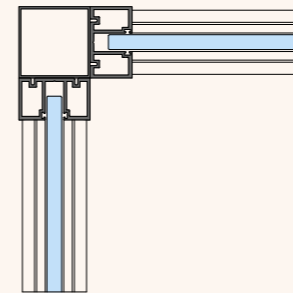
SECTION CORNER 90° HEAD







PROFILES, HARDWARE AND RUBBERS

-  · NO06 Support
 -  · Screw 30mm
 -  · G01 Glass rubber 5+5
- Modulation profiles**
· 480

SECTION CORNER 90° T50X50

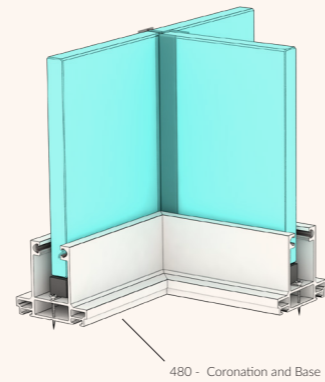


PROFILES, HARDWARE AND RUBBERS

-  · NO01 Bracket
 -  · NO06 Glass support
 -  · Screw 30mm
 -  · G01 Glass rubber 5+5
- Modulation profiles**
· 480
· 481
· 486
· 487
· T50X50

THREE WAY HEAD

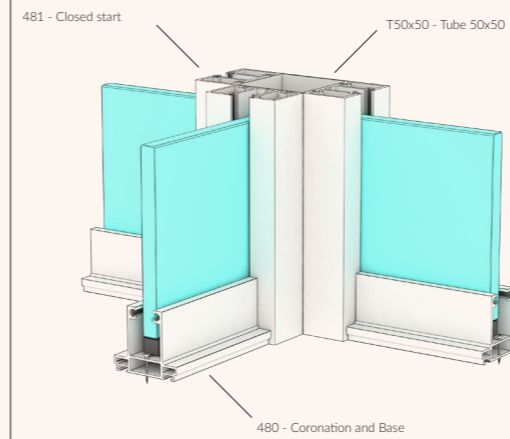
DETAIL



Nota: Ajuste de tres vías a testa con perfil de policarbonato entre vidrios.

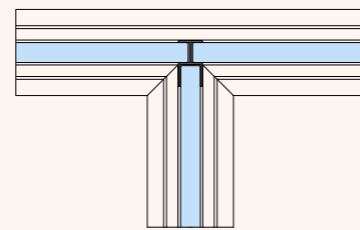
THREE WAY T50X50

DETAIL

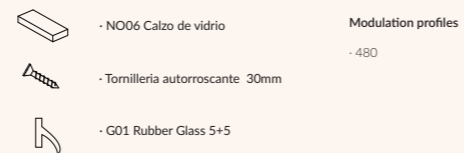


Nota: Ajuste de tres vías con triple arranque y perfil cuadrado de 50x50mm.

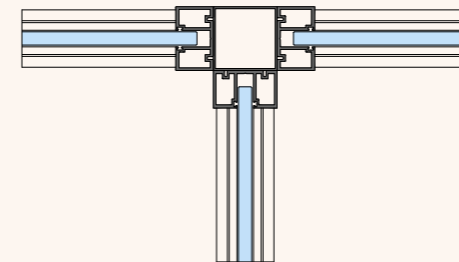
SECTION THREE WAY HEAD



PROFILES, HARDWARE AND RUBBERS



SECTION THREE WAY T50X50

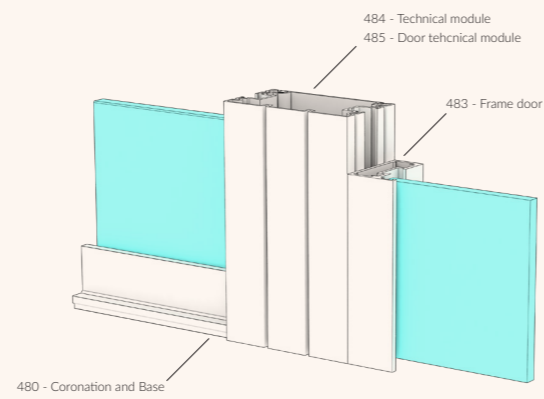


PROFILES, HARDWARE AND RUBBERS



TECHNICAL MODULE WITH DOOR

DETAIL

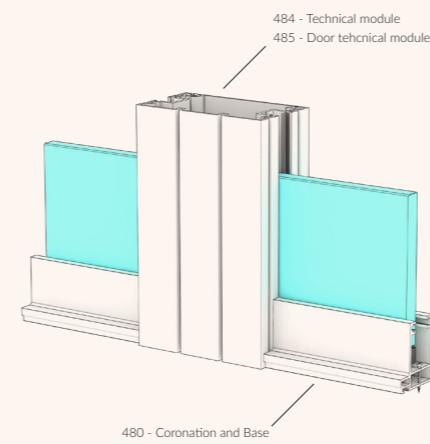


Note: The technical module itself can act as a support. The door frame can be attached directly to one side, and the partition can be connected directly to the other.

Note: The technical module has a registerable door and slots for the door frame.

TECHNICAL MODULE BETWEEN GLASS

DETAIL

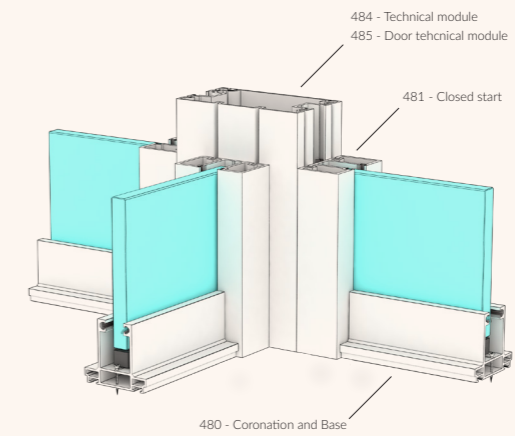


Note: The technical module itself can act as a stand. The glass can be mounted directly on either side.

Note: The technical module has a registerable door and slots for the door frame.

TECHNICAL MODULE 3 THREE WAY

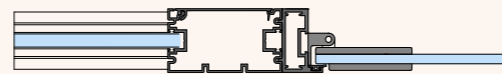
DETAIL



Note: The technical module can be used as a three-way unit. The narrow sides can be used to directly accommodate the glass or to attach starter feet. The wide side must always have a stand.

Note: The technical module has a registerable door and slots for the door frame.

SECTION TECHNICAL MODULE WITH DOOR



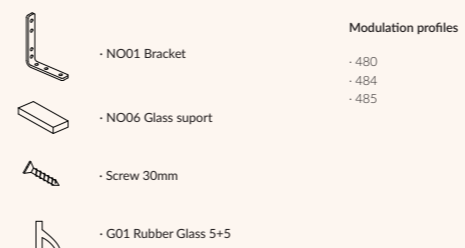
PROFILES, HARDWARE AND RUBBERS



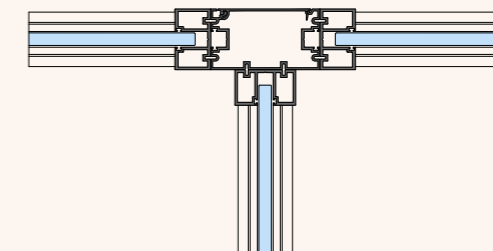
SECTION TECHNICAL MODULE WITH GLASS



PROFILES, HARDWARE AND RUBBERS












SECTION TECHNICAL MODULE THREE WAY



PROFILES, HARDWARE AND RUBBERS



envatech DESIGN & TECHNOLOGY		STANDARD COLORS AND RUBBER COMBINATIONS	
ANODIZED SILVER		BLACK	
SILVER		RAL 9011	
			
<small>Note: Anodized finishes are available in other non-standard colors. Please inquire about more colors.</small>		<small>Note: Lacquered finishes are available in other non-standard colors. Please inquire about more colors. Note: Black lacquer can be textured or smooth colors.</small>	
		WHITE	
		RAL 9010	
			
		<small>Note: Lacquered finishes are available in other non-standard colors. Please inquire about more colors. Note: White lacquer can be textured or smooth colors.</small>	

RUBBER COMBINATION	RUBBER COMBINATION	RUBBER COMBINATION
 · G01T Glass rubber 5+5 -> TRANSPARENT  · G03P Frame door rubber -> Silver	 · G01T Glass rubber 5+5 -> TRANSPARENT  · G03N Frame door rubber -> Black	 · G01T Glass rubber 5+5 -> TRANSPARENT  · G03P Frame door rubber -> Silver

